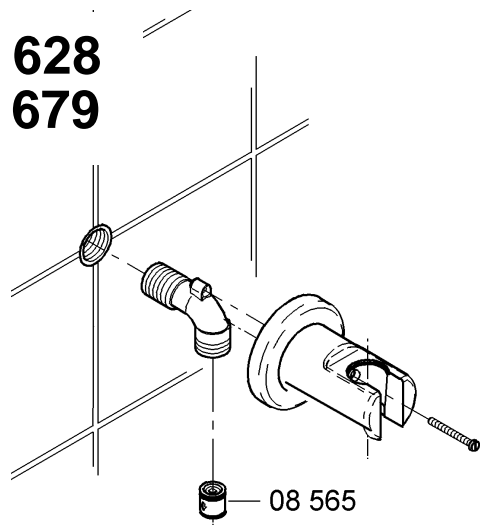


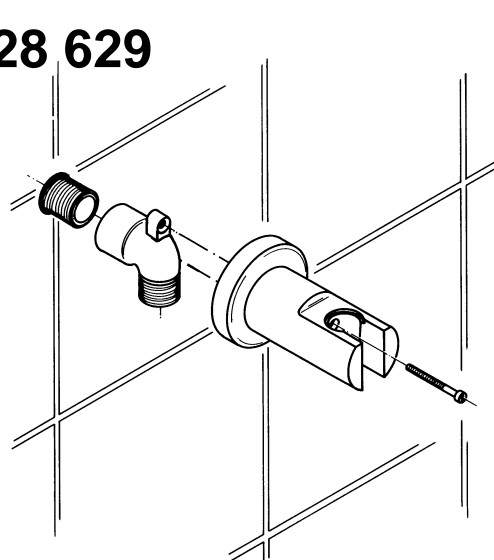


WATER TECHNOLOGY

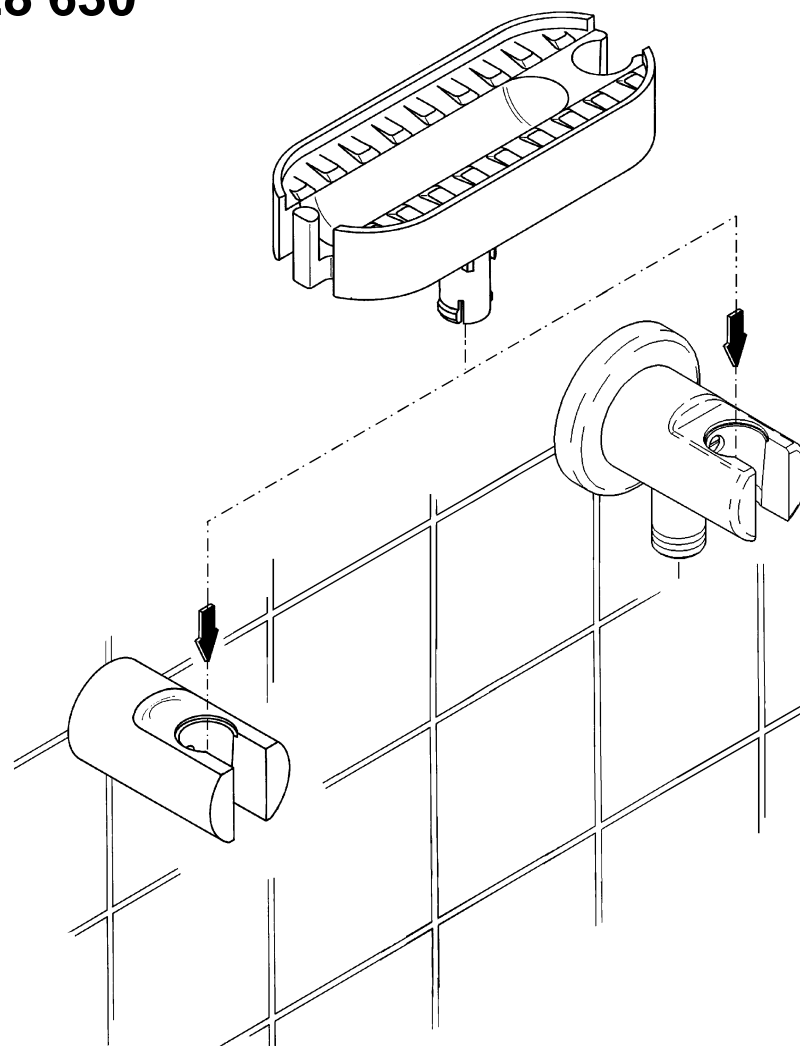
28 628
28 679



28 629



28 630



28 622

