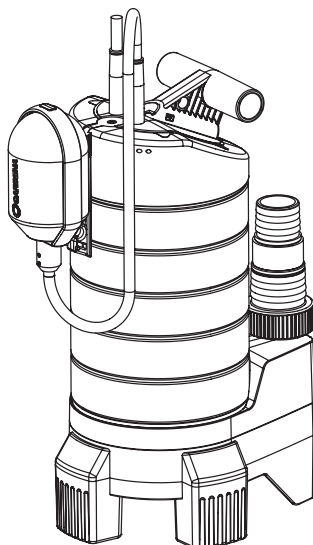


21000 inox

Art. 1787



20000 inox

Art. 1802

D Betriebsanleitung

Tauchpumpe / Schmutzwasserpumpe

GB Operating Instructions

Submersible Pump / Dirty Water Pump

F Mode d'emploiPompe d'évacuation pour eaux claires /
Pompe d'évacuation pour eaux chargées**NL Instructies voor gebruik**

Dompelpomp / Vuilwaterpomp

S Bruksanvisning

Dränkbar pump / Spillvattenpump

I Istruzioni per l'uso

Pompa sommersa / Pompa sommersa per acqua sporca

E Manual de instrucciones

Bomba sumergible / Bomba para aguas sucias

P Instruções de utilização

Bomba submersível / Bomba para águas sujas

DK Brugsanvisning

Dykpumpe / Dykpumpe til urent vand

GARDENA

Submersible Pump 21000 inox / Dirty Water Pump 20000 inox

Welcome to the garden of GARDENA ...



Translation of the original instructions from German. Please read these operating instructions carefully and observe the notes given. Use the instructions to familiarise yourself with the pump, its correct use, and the notes on safety.



For safety reasons, children under 16 as well as persons not familiar with these operating instructions should not use this pump.

→ Keep these operating instructions in a safe place.

Contents

1. Applications Range of Your GARDENA Pump	10
2. Safety Instructions	11
3. Initial Operation	13
4. Operation	14
5. Putting into Storage	14
6. Maintenance	14
7. Troubleshooting	15
8. Technical Data	15
9. Service / Warranty	16

1. Applications Range of Your GARDENA Pump

Intended use

GARDENA Pumps have been designed for private use around your house and garden. They are predominantly destined for drainage after flooding, transfer of liquids, draining containers, taking water from wells and shafts, draining boats and yachts as well as for water aeration and circulation for a limited period of time.

Liquids to be pumped

Liquids which can be handled by the GARDENA Pump are the following: clean and contaminated water (max. particle size 21000 inox = 5 mm / 20000 inox = 38 mm), swimming pool water (prerequisite is the recommended dosage of additives) and soapy water. The pumps are fully submersible (waterproof sealed) and can be immersed in the liquid down to a depth of 8 m.

Please note



The GARDENA Pumps are not designed for continuous operation (e.g. continuous circulating operation) in a pond. Your pump's life will be shortened correspondingly by such operation.
Corrosive, easily combustible or explosive substances (e.g. gasoline, petroleum, nitro thinner), fats, oils, salt-water and waste water of toilets and urinals must not be pumped.
The temperature of the liquid handled should not exceed 35°C.

2. Safety instructions

Electrical Safety

According to DIN VDE (German Electrical Engineers' Association) 0100, submersible pumps and dirty water pumps may only be used in swimming pools, garden ponds, and fountains if the pump is operated via a residual-current device with a residual-current rating of ≤ 30 mA.

The pump must not be operated when there are persons in the swimming pool or garden pond.

For safety reasons we recommend that you always operate the pump via a residual-current device (DIN VDE 0100-702 and 0100-738).

→ Please contact your electrician.

According to DIN VDE (German Electrical Engineers' Association) 0620, mains power cables must not have a smaller cross-section than the rubber-sheathed cables of the designation H07 RNF.

The cable length must be at least 10 m.

Data indicated on the type plate must match technical data of the mains supply.

→ Take care that the electrical connections are made within dry area, protected from flooding.

→ Keep mains plug dry.

Protect plug and power cable from heat, oil and sharp edges.



DANGER! Electric shock!

With a cut off mains plug, moisture can get into electrical parts via the mains cable and cause a short circuit.

→ **Never cut the mains plug off (e.g. to feed through wall).**

→ Don't use the power cable for plugging off.

The power cable or the float switch must not be used for mounting or relocating the pump. For submerging or lifting/securing the pump, fix a rope to the pump's carrying handle.

Extension cables must meet the requirements of DIN VDE 0620.

In Austria

In Austria, according to ÖVE B/EN 60 555 part 1 to 3, pumps which are used in swimming pools and garden ponds, and equipped with firm power cable should be fed via an ÖVE approved isolating transformer – rated voltage must not exceed 230 V.

In Switzerland

In Switzerland mobile appliances which are used outdoors, must be connected via a residual-current device.

Visual check

- Before operating the pump, first make a visual check, if there is any damage of the pump (esp. regarding power cable and plug).
- Observe the minimum water level and the max. delivery height (see 8. Technical Data).



DANGER! Electric shock!

A damaged pump must not be used.

- In case of damage, please have the pump checked by our GARDENA Service Centre.

Manual operation

During manual operation, the pump must be switched off as soon as all the liquid has been pumped away.

- Observe the pump at all times during manual operation.

Notes on use

Dry-running operation causes increased wear and is to be avoided. Therefore, in manual operation the pump must be immediately unplugged when water fails to flow.

Avoid running of the pump for more than 10 min. against closed delivery side of the pump.

Sand and other abrasive substances cause increased wear and reduce the pump's output.

Take care that the pump is located where the inlet openings at the suction base are obstructed neither completely nor partly.

Stand the pump on a brick if using in a pond.

Note on 21000 inox

When you purchase your pump the swivel feet are set to the **flat suction position** (1 mm).

→ For normal operation, turn the feet 180° to 5 mm.

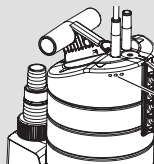
The pump is lifted 5 mm.

→ Clear the outlet line before use.

Thermal protection switch

The pump is automatically switched off on overheating by the built-in thermal motor protector. After having cooled down, the motor automatically switches on again (see 7. Troubleshooting).

Automatic deaerating valve



The automatic deaerating valve eliminates any air pockets in the pump.

If the pump is half submersed, water may come out of the ventilation holes (4).

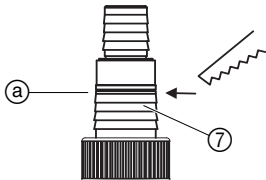
This is not a defect of your pump, but serves to deaerate the pump.

3. Initial Operation

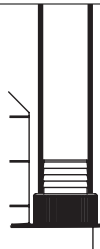
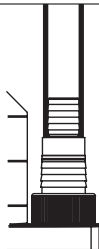
Hose diameter

38 mm (1 1/2")

50 mm (2")



Hose connection of universal fitting (7)



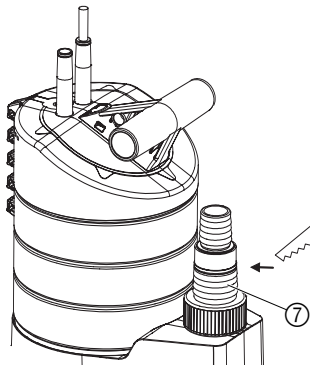
Hose connection

Do not cut off any nipples.

Cut off nipple at (a).

Best results in delivery capacity are achieved when using 50 mm (2") hoses.

Connecting the hose:



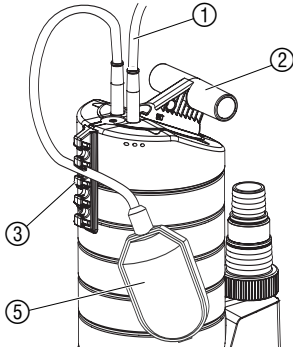
The universal fitting (7) allows you to connect all the hoses listed in the previous table.

1. Cut off nipples of the universal fitting (7), which are not needed, to match the hose connection.
2. Screw the universal fitting (7) onto the pump.
3. Connect the hose to the universal fitting (7).

We recommend that you secure 50 mm (2") and 38 mm (1 1/2") hoses additionally with a **GARDENA Hose Clip Art. No. 7195** (for 50 mm) and **Art. No. 7193** (for 38 mm).

4. Operation

Automatic operation:



The float switch ⑤ turns the pump on automatically when the water level exceeds the cut-in height and the water is pumped out.

The float switch ⑤ turns the pump off again as soon as the water level falls below the cut-out height.

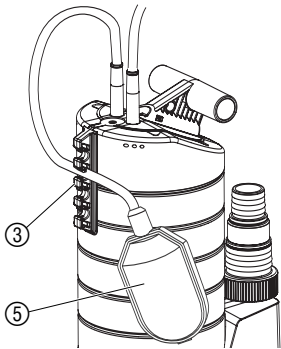
1. Stand the pump on a firm surface

– or –

use a rope attached through the bore hole in the carrying handle ② to immerse the pump in a well or shaft.

During automatic operation, ensure that the float switch ⑤ can move freely.

2. Plug the power cable ① into a mains socket.



Adjusting the Cut-in and Cut-out Height:

The maximum cut-in height and minimum cut-out height (see 8. Technical Data) can be adjusted.

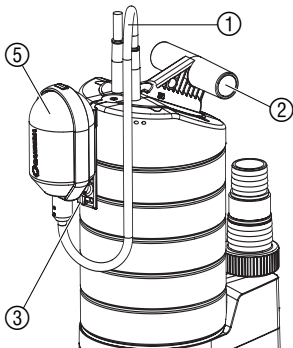
→ Press the cable of the float switch ⑤ into an opening in the float switch lock ③.

Do not select a cable length that is too long or short to ensure that the float switch can turn on and off properly.

- The higher the opening of the float switch lock ③, the higher the cut-in and cut-out height.
- The shorter the length of cable between the float switch ⑤ and the float switch lock ③, the lower the cut-in height and the higher the cut-out height.

The cable length between the float switch ⑤ and the float switch lock ③ must always be at least 10 cm.

Manual operation:



The pump remains in constant operation because the float switch is bypassed.

1. Push the float switch ⑤ onto the float switch lock ③ with the cable downward.

2. Stand the pump on a firm surface

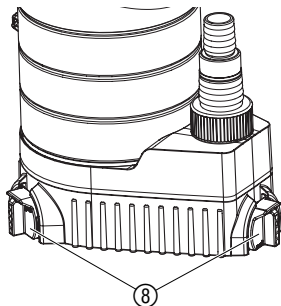
– or –

use a rope attached through the bore hole in the carrying handle ② to immerse the pump in a well or shaft.

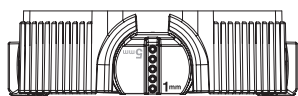
3. Plug the power cable ① into a mains socket.

The residual water height (approx. 3 mm for 21000 inox / 43 mm for 20000 inox) is only reached during manual operation since the float switch turns off the pump during automatic operation before this water level is reached.

Only for 21000 inox:
Flat suction /
Normal operation

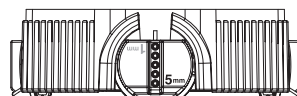


Flat suction:



→ Turn the 3 swivel feet ⑧
180° to 1 mm.

Normal operation:



→ Turn the 3 swivel feet ⑧
180° to 5 mm.

The residual water level of approx. 3 mm is only reached during flat suction in the manual operation mode.

5. Putting into Storage

Frost-free storage:



→ Store the pump away from frost before the first frost sets in.

Disposal:

(in accordance with
RL2002/96/EC)



The product must not be added to normal household waste. It must be disposed of in line with local environmental regulations.
→ Important: Make sure that the unit is disposed of via your municipal recycling collection centre.

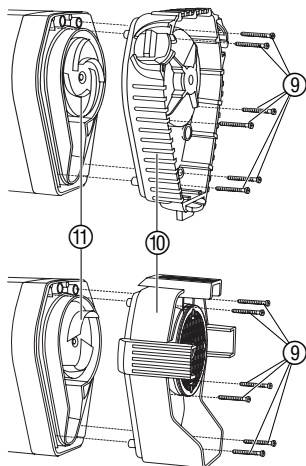
6. Maintenance

Flushing the Pump:

The pumps are virtually maintenance-free.

After having pumped chlorinated swimming pool water or other liquids leaving residues, the pump should be rinsed with clear water.

Cleaning the suction
base and impeller:



DANGER! Electric shock!

Risk of injury due to electric shock.

→ Disconnect the pump from the mains before cleaning the suction base and impeller.

1. Unscrew the 6 Phillips screws ⑨ and pull the suction base ⑩ off the pump.
2. Clean suction base ⑩ and impeller ⑪.
3. Reinstall the suction base ⑩ and screw in the Phillips screws ⑨.

For safety reasons a damaged impeller ⑪ can only be exchanged by the GARDENA Service Centre.

7. Troubleshooting

Problem	Probable cause	Remedy
Pump is running, but doesn't deliver	Air cannot escape, since pressure line is closed.	→ Open pressure line (e.g. kinked pressure pipe).
	Air locks in the suction base.	→ Wait for max. 60 seconds until the pump deaerates automatically over the vent valve. If necessary, switch off and start it again.
	Impeller clogged.	→ Disconnect plug and clean impeller (see 6. Maintenance).
	When starting the pump, water height falls below the min. water level.	→ Submerge pump deeper.
Pump doesn't start or suddenly stops during operation	Thermal overload switch has switched the pump off due to overheating.	→ Disconnect plug and clean impeller (see 6. Maintenance). Observe max. media temperature of 35 °C.
	No power.	→ Check fuses and electric connections.
	Dirt particles are jammed in the suction base.	→ Disconnect plug and clean suction base (see 6. Maintenance).
Pump runs, but output suddenly decreases	Suction base is clogged.	→ Disconnect plug and clean suction base (see 6. Maintenance).



In the event of other faults please contact **GARDENA Service**.
Repairs should only be carried out by **GARDENA service centres or dealers** authorised by **GARDENA**.

8. Technical Data

	Submersible Pump	Dirty Water Pump
Type	21000 inox (Art. 1787)	20000 inox (Art. 1802)
Rated power	1,000 W	1,050 W
Max. delivery capacity	21,000 l/h	20,000 l/h
Max. pressure	1.1 bar	1.1 bar
Max. delivery height	11 m	11 m
Max. submersion depth	8 m	8 m
Residual water level	3 mm	43 mm
Contaminated water with particle size of max.	5 mm	38 mm
Power cable	10 m H07 RNF	10 m H07 RNF

Typ	21000 inox (Art. 1787)	20000 inox (Art. 1802)
Pump connection	50 mm (2")- / 38 mm (1 ½")- graduated nipple	50 mm (2")- / 38 mm (1 ½")- graduated nipple
Min. water level for operation	30 mm	55 mm
Weight approx. (without cable)	8.3 kg	8.3 kg
Max. media temperature	35 °C	35 °C
Mains voltage / mains frequency	230 V / 50 Hz	230 V / 50 Hz
Min./max. cut-in height	335 mm / 800 mm	355 mm / 810 mm
Min./max. cut-out height	50 mm / 220 mm	50 mm / 230 mm
Noise level $L_{WA}^{1)}$	48 dB(A)	55 dB(A)

1) Measuring method according to EN 60335-1

Cut-in / Cut-out height

The cut-in and cut-out height varies.

Only for 21000 inox:

The residual water height (flat suction down to approx. 3 mm) is only reached during manual operation with the swivel feet ⑧ turned to 1 mm (see 4. Operation).

9. Service / Warranty

GARDENA guarantees this product for 2 years (from date of purchase). This guarantee covers all serious defects of the unit that can be proved to be material or manufacturing faults. Under warranty we will either replace the unit or repair it free of charge if the following conditions apply:

- The unit must have been handled properly and in keeping with the requirements of the operating instructions.
- Neither the purchaser or a non-authorized third party have attempted to repair the unit.

The impeller is a wearing part and is not covered by the guarantee.

This manufacturer's guarantee does not affect the user's existing warranty claims against the dealer/seller.

If you have any problems with your submersible pump or dirty water pump, please contact our Service or return the defective unit together with a short description of the problem – in case of guarantee, with a copy of the receipt – postage paid to one of the GARDENA Service Centres listed on the back of this leaflet.

Kennlinie

Tauchpumpe

Performance characteristics

Submersible Pump

Courbe de performance

Pompe d'évacuation

pour eaux claires

Prestatiegrafiek

Dompelpomp

Kapacitetskurva

Dränkbar pump

Curva di rendimento per

Pompa sommersa

Curva característica de la

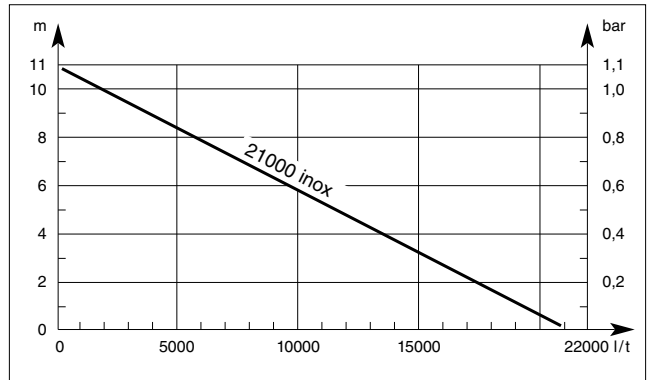
Bomba sumergible

Características de performance

da Bomba submersível

Ydelses karakteristik

Dykpumpe



Kennlinie

Schmutzwasserpumpe

Performance characteristics

Dirty Water Pump

Courbe de performance

Pompe d'évacuation

pour eaux chargées

Prestatiegrafiek

Vuilwaterpomp

Kapacitetskurva

Spillvattenpump

Curva di rendimento per Pompa

sommersa per acqua sporca

Curva característica de la

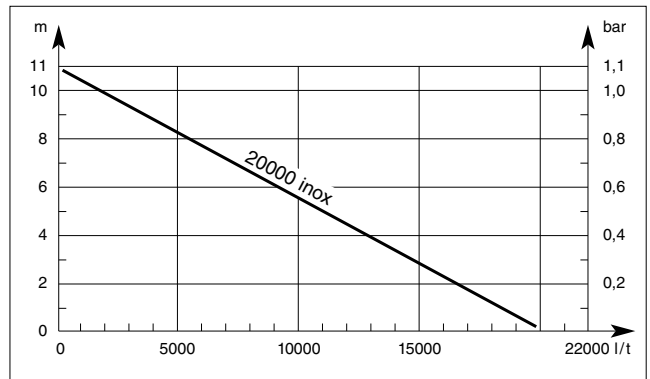
Bomba para aguas sucias

Características de performance

da Bomba para águas sujas

Ydelses karakteristik

Dykpumpe til urent vand



<p>D <i>Produkthftung</i></p>	<p>Wir weisen ausdrücklich darauf hin, dass wir nach dem Produkthaftungsgesetz nicht für durch unsere Geräte hervorgerufene Schäden einzustehen haben, sofern diese durch unsachgemäße Reparatur verursacht oder bei einem Teileaustausch nicht unsere Original GARDENA Teile oder von uns freigegebene Teile verwendet werden und die Reparatur nicht vom GARDENA Service oder dem autorisierten Fachmann durchgeführt wird. Entsprechendes gilt für Ergänzungssteile und Zubehör.</p>
<p>GB <i>Product Liability</i></p>	<p>We expressly point out that, in accordance with the product liability law, we are not liable for any damage caused by our units if it is due to improper repair or if parts exchanged are not original GARDENA parts or parts approved by us, and, if the repairs were not carried out by a GARDENA Service Centre or an authorised specialist. The same applies to spare parts and accessories.</p>
<p>F <i>Responsabilité</i></p>	<p>Nous vous signalons expressément que GARDENA n'est pas responsable des dommages causés par ses appareils, dans la mesure où ces dommages seraient causés suite à une réparation non conforme, dans la mesure où, lors d'un échange de pièces, les pièces d'origine GARDENA n'auraient pas été utilisées, ou si la réparation n'a pas été effectuée par le Service Après-Vente GARDENA ou l'un des Centres SAV agréés GARDENA. Ceci est également valable pour tout ajout de pièces et d'accessoires autres que ceux préconisés par GARDENA.</p>
<p>NL <i>Productaansprakelijkheid</i></p>	<p>Wij wijzen er nadrukkelijk op, dat wij op grond van de wet aansprakelijkheid voor producten niet aansprakelijk zijn voor schade ontstaan door onze apparaten, indien deze door onvakkundige reparatie veroorzaakt zijn, of er bij het uitwisselen van onderdelen geen gebruik gemaakt werd van onze originele GARDENA onderdelen of door ons vrijgegeven onderdelen en de reparatie niet door de GARDENA technische dienst of de bevoegde vakman uitgevoerd werd. Ditzelfde geldt voor extra-onderdelen en accessoires.</p>
<p>S <i>Produktansvar</i></p>	<p>Tillverkaren är inte ansvarig för skada som orsakats av produkten om skadan beror på att produkten har reparerats felaktigt eller om, vid reparation eller utbyte, andra än Original GARDENA reservdelar har använts. Samma sak gäller för kompletteringsdelar och tillbehör.</p>
<p>I <i>Responsabilità del prodotto</i></p>	<p>Si rende espressamente noto che, conformemente alla legislazione sulla responsabilità del prodotto, non si risponde di danni causati da nostri articoli se originati da riparazioni eseguite non correttamente o da sostituzioni di parti effettuate con materiale non originale GARDENA o comunque da noi non approvato e, in ogni caso, qualora l'intervento non venga eseguito da un centro assistenza GARDENA o da personale specializzato autorizzato. Lo stesso vale per le parti complementari e gli accessori.</p>
<p>E <i>Responsabilidad de productos</i></p>	<p>Advertimos que conforme a la ley de responsabilidad de productos no nos responsabilizamos de daños causados por nuestros aparatos, siempre y cuando dichos daños hayan sido originados por arreglos o reparaciones indebidas, por recambios con piezas que no sean piezas originales GARDENA o bien piezas autorizadas por nosotros, así como en aquellos casos en que la reparación no haya sido efectuada por un Servicio Técnico GARDENA o por un técnico autorizado. Lo mismo es aplicable para las piezas complementarias y accesorios.</p>
<p>P <i>Responsabilidade sobre o produto</i></p>	<p>Queremos salientar que segundo a lei da responsabilidade do fabricante, nós não nos responsabilizaremos por danos causados pelo nosso equipamento, quando estes ocorram em decorrência de reparações inadequadas ou da substituição de peças por peças não originais da GARDENA, ou peças não autorizadas. A responsabilidade tornar-se-à nula também depois de reparações realizadas por oficinas não autorizadas pela GARDENA. Esta restrição valerá também para peças adicionais e acessórios.</p>
<p>DK <i>Produktansvar</i></p>	<p>Vi gør udtrykkeligt opmærksom på at i henhold til produktansvarsloven er vi ikke ansvarlige for skader forårsaget af vores udstyr, hvis det skyldes uautoriserede reparationer eller hvis dele er skiftet ud og der ikke er anvendt originale GARDENA dele eller dele godkendt af os, eller hvis reparationerne ikke er udført af GARDENA-service eller en autoriseret fagmand. Det samme gælder for ekstra udstyr og tilbehør.</p>

<p>D EU-Konformitätserklärung Maschinenverordnung (9. GSGVO) / EMVG / Niedersp. RL Der Unterzeichnete GARDENA Manufacturing GmbH, Hans-Lorenser-Str. 40, D-89079 Ulm, bestätigt, dass das nachfolgend bezeichnete Gerät in der von uns in Verkehr gebrachten Ausführung die Anforderungen der harmonisierten EU-Richtlinien, EU-Sicherheitsstandards und produktspezifischen Standards erfüllt. Bei einer nicht mit uns abgestimmten Änderung des Geräts verliert diese Erklärung ihre Gültigkeit.</p>	Bezeichnung des Gerätes: Tauchpumpe / Schmutzwasserpumpe Description of the unit: Submersible Pump / Dirty Water Pump Désignation du matériel : Pompe d'évacuation pour eaux claires / Pompe d'évacuation pour eaux chargées Omschrijving van het apparaat: Dompelpomp / Vuilwaterpomp Produktbeskrivning: Dränkbar pump / Spillvattenpump Descrizione del prodotto: Pompa sommersa / Pompa sommersa per acqua sporca Descripción de la mercancía: Bomba sumergible / Bomba para aguas sucias Descrição do aparelho: Bomba submersível / Bomba para águas sujas Beskrivelse af enhederne: Dykpumpe / Dykpumpe til urent vand
<p>GB EU Certificate of Conformity The undersigned GARDENA Manufacturing GmbH, Hans-Lorenser-Str. 40, D-89079 Ulm, hereby certifies that, when leaving our factory, the unit indicated below is in accordance with the harmonised EU guidelines, EU standards of safety and product specific standards. This certificate becomes void if the unit is modified without our approval.</p>	
<p>F Certificat de conformité aux directives européennes Le constructeur, soussigné : GARDENA Manufacturing GmbH, Hans-Lorenser-Str. 40, D-89079 Ulm, déclare qu'à la sortie de ses usines le matériel neuf désigné ci-dessous était conforme aux prescriptions des directives européennes énoncées ci-après et conforme aux règles de sécurité et autres règles qui lui sont applicables dans le cadre de l'Union européenne. Toute modification portée sur ce produit sans l'accord express de GARDENA supprime la validité de ce certificat.</p>	
<p>NL EU-overeenstemmingsverklaring Ondergetekende GARDENA Manufacturing GmbH, Hans-Lorenser-Str. 40, D-89079 Ulm, bevestigt, dat het volgende genoemde apparaat in de door ons in de handel gebrachte uitvoering voldoet aan de eis van, en in overeenstemming is met de EU-richtlijnen, de EU-veiligheidsstandaard en de voor het product specifieke standaard. Bij een niet met ons afgestemde verandering aan het apparaat verliest deze verklaring haar geldigheid.</p>	
<p>S EU Tillverkarintyg Undertecknad firma GARDENA Manufacturing GmbH, Hans-Lorenser-Str. 40, D-89079 Ulm, intygar härmed att nedan nämnda produkter överensstämmer med EU:s direktiv, EU:s säkerhetsstandard och produktspecifikation. Detta intyg upphör att gälla om produkten ändras utan vårt tillstånd.</p>	
<p>I Dichiarazione di conformità alle norme UE La sottoscritta GARDENA Manufacturing GmbH, Hans-Lorenser-Str. 40, D-89079 Ulm, certifica che il prodotto qui di seguito indicato, nei modelli da noi commercializzati, è conforme alle direttive armonizzate UE nonché agli standard di sicurezza e agli standard specifici di prodotto. Qualunque modifica apportata al prodotto senza nostra specifica autorizzazione invalida la presente dichiarazione.</p>	
<p>E Declaración de conformidad de la UE El que suscribe GARDENA Manufacturing GmbH, Hans-Lorenser-Str. 40, D-89079 Ulm, declara que la presente mercancía, objeto de la presente declaración, cumple con todas las normas de la UE, en lo que a normas técnicas, de homologación y de seguridad se refiere. En caso de realizar cualquier modificación en la presente mercancía sin nuestra previa autorización, esta declaración pierde su validez.</p>	
<p>P Certificado de conformidad da UE Os abaixo mencionados GARDENA Manufacturing GmbH, Hans-Lorenser-Str. 40, D-89079 Ulm, por este meio certificam que ao sair da fábrica o aparelho abaixo mencionado está de acordo com as diretivas harmonizadas da UE, padrões de segurança e de produtos específicos. Este certificado ficará nulo se a unidade for modificada sem a nossa aprovação.</p>	
<p>DK EU Overensstemmelse certificat Undertegnede GARDENA Manufacturing GmbH, Hans-Lorenser-Str. 40, D-89079 Ulm bekræfter hermed, at enheder listet herunder, ved afsendelse fra fabrikken, er i overensstemmelse med harmoniserede EU retningslinier, EU sikkerhedsstandarder og produktspecifikationsstandarder. Dette certifikat træder ud af kraft hvis enhederne er ændret uden vor godkendelse.</p>	

Typ:	Art.-Nr.:
Type:	Art. No.:
Type :	Référence :
Typ: 21000 inox	Art. nr.: 1787
Type:	Art.nr.:
Modello: 20000 inox	Art.: 1802
Typo:	Art. Nº:
Typo:	Art. Nº:
Type:	Varenr. :

EU-Richtlinien:	98/37/EC : 1998
EU directives:	
Directives européennes :	2006/42/EC : 2006
EU-richtlijnen:	
EU direktiv :	2004/108/EC
Direttive UE :	
Normativa UE :	93/68/EC
Directrices da UE :	
EU Retningslinier:	2006/95/EC

Harmonisierte EN:	EN ISO 12100-1
	EN ISO 12100-2
	EN 60335-1
	EN 60335-2-41

Anbringningsjahr der CE-Kennzeichnung:	
Year of CE marking:	
Date d'apposition du marquage CE :	
Installatiejaar van de CE-aanduiding:	2007
CE-Märkningsår:	
Anno di rilascio della certificazione CE :	
Colocación del distintivo CE :	
Ano de marcação pela CE :	
CE-Mærkningsår:	


Peter Lameli

Ulm, den 01.07.2007	Technische Leitung
Ulm, 01.07.2007	Technical Dept. Manager
Fait à Ulm, le 01.07.2007	Direction technique
Ulm, 01-07-2007	Hoofd technische dienst
Ulm, 2007.01.07.	Technical Director
Ulm, 01.07.2007	Direzione Tecnica
Ulm, 01.07.2007	Dirección Técnica
Ulm, 01.07.2007	Director Técnico
Ulm, 01.07.2007	Teknisk direktør

Deutschland / Germany

GARDENA
Manufacturing GmbH
Service Center
Hans-Lorenser-Straße 40
D-89079 Ulm
Produktfragen:
(+49) 731 490-123
Reparaturen:
(+49) 731 490-290
service@gardena.com

Argentina

Argensem® S.A.
Calle Colonia Japonesa s/n
(1625) Loma Verde
Escobar, Buenos Aires
Phone: (+54) 34 88 49 40 40
info@argensem.com.ar

Australia

Nylex Consumer Products
50-70 Stanley Drive
Somerton, Victoria, 3062
Phone: (+61) 1800 658 276
spare.parts@nylex.com.au

Austria / Österreich

GARDENA
Österreich Ges.m.b.H.
Stettnerweg 11-15
2100 Korneuburg
Tel.: (+43) 22 62 7 45 45 36
kundendienst@gardena.at

Belgium

GARDENA Belgium NV/SA
Sterrebeekstraat 163
1930 Zaventem
Phone: (+32) 2 7 20 92 12
Mail: info@gardena.be

Brazil

Palash Comércio e
Importação Ltda.
Rua São João do Araguaia,
338 – Jardim Califórnia –
Barueri – SP - Brasil –
CEP 06409-060
Phone: (+55) 11 4198-9777
eduardo@palash.com.br

Bulgaria

Хускварна България ЕООД
1799 София
Бул. „Андрей Ляпчев“ № 72
Тел.: 02/ 8755148, 9753076
www.husqvarna.bg

Canada

GARDENA Canada Ltd.
100 Summerlea Road
Brampton, Ontario L6T 4X3
Phone: (+1) 905 792 9330
info@gardenacanada.com

Chile

Antonio Martinic y Cia Ltda.
Cassillas 272
Centro de Cassillas
Santiago de Chile
Phone: (+56) 2 20 10 708
garfar_cl@yahoo.com

Costa Rica

Compania Exim
Euroberoamericana S.A.
Los Colegios, Moravia,
200 metros al Sur del Colegio
Saint Francis - San José
Phone: (+506) 297 68 83
exim_euro@racsa.co.cr

Croatia

KLIS d.o.o.
Stanciceva 79
10419 Vukovina
Phone: (+385) 1 622 777 0
gardena@klis-trgovina.hr

Cyprus

FARMOKIPIKI LTD
P.O. Box 7098
74, Digeni Akritia Ave.
1641 Nicosia
Phone: (+357) 2275 47 62
condam@spidernet.com.cy

Czech Republic

GARDENA spol. s r.o.
Tuřanka 115
627 00 Brno
Phone: (+420) 800 100 425
gardena@gardenabrno.cz

Denmark

GARDENA Norden AB
Salgsafdeling Danmark
Box 9003
S-200 39 Malmö
info@gardena.dk

Finland

Oy Husqvarna Ab
Lautatarhankatu 8b/ PL 3
FI-00581 HELSINKI

France

GARDENA
PARIS NORD 2
69, rue de la Belle Etoile
BP 57080
ROISSY EN FRANCE
95948 ROISSY CDG CEDEX
Tél. (+33) 0826 101 455
service.consommateurs@
gardena.fr

Great Britain

Husqvarna UK Ltd
Preston Road
Aycliffe Industrial Park
Newton Aycliffe
County Durham
DL5 6UP
info.gardena@husqvarna.co.uk

Greece

Agrokip
Psomadopoulos S.A.
Ifaistou 33A
Industrial Area Koropi
194 00 Athens Greece
V.A.T. EL093474846
Phone: (+30) 210 6620 225
service@agrokip.gr

Hungary

GARDENA
Magyarország Kft.
Késmárk utca 22
1158 Budapest
Phone: (+36) 80 20 40 33
gardena@gardena.hu

Iceland

Ó. Johnson & Kaaber
Tunguhalsi 1
110 Reykjavik
ooj@ojk.is

Ireland

Michael McLoughlin & Sons
Hardware Limited
Long Mile Road
Dublin 12

Italy

GARDENA Italia S.p.A.
Via Donizetti 22
20020 Lainate (Mi)
Phone: (+39) 02.93.94.79.1
info@gardenaitalia.it

Japan

KAKUICHI Co. Ltd.
Sumitomo Realty &
Development Kojimachi
BLDG., 8F
5-1 Nibanncyo, Chiyoda-ku
Tokyo 102-0084
Phone: (+81) 33 264 4721
m_ishihara@kaku-ichi.co.jp

Luxembourg

Magasins Jules Neuberg
39, rue Jacques Stas
Luxembourg-Gasperich 2549
Case Postale No. 12
Luxembourg 2010
Phone: (+352) 40 14 01
api@neuberg.lu

Netherlands

GARDENA Nederland B.V.
Postbus 50176
1305 AD ALMERE
Phone: (+31) 36 521 00 00
info@gardena.nl

Neth. Antilles

Jonka Enterprises N.V.
Sta. Rosa Weg 196
P.O. Box 8200, Curaçao
Phone: (+599) 9 767 66 55
pgm@jonka.com

New Zealand

NYLEX New Zealand Limited
Building 2, 118 Savill Drive
Mangere, Auckland
Phone: (+64) 0800 22 00 88
spare.parts@nylex.com.au

Norway

GARDENA Norden AB
Salgskontor Norge
Kleverveien 6
1540 Vestby
info@gardena.no

Poland

GARDENA Polska Sp. z o.o.
Szymanów 9 d
05-532 Baniocza
Phone: (+48) 22 727 56 90
gardena@gardena.pl

Portugal

GARDENA Portugal Lda.
Recta da Granja do Marquês
Edif. GARDENA Algueirão
2725-596 Mem Martins
Phone: (+351) 21 922 85 30
info@gardena.pt

Romania

MADEX INTERNATIONAL SRL
Soseaua Odaii 117-123,
Sector 1,
București, RO 013603
Phone: (+40) 21 352 76 03
madex@ines.ro

Russia / Россия

ООО ГАРДЕНА РУС
123007, г. Москва
Хорошевское шоссе, д. 32А
Тел.: (+7) 495 540 99 57
info@gardena-rus.ru

Singapore

Hy-Ray PRIVATE LIMITED
40 Jalan Pemimpin
#02-08 Tat Ann Building
Singapore 577185
Phone: (+65) 6253 2277
hyray@singnet.com.sg

Slovak Republic

GARDENA Slovensko, s.r.o.
Panónska cesta 17
851 04 Bratislava
Phone: (+421) 263 453 722
info@gardena.sk

Slovenia

GARDENA d.o.o.
Brodšče 15
1236 Trzin
Phone: (+386) 1 580 93 32
servis@gardena.si

South Africa

GARDENA
South Africa (Pty.) Ltd.
P.O. Box 11534
Vorna Valley 1686
Phone: (+27) 11 315 02 23
sales@gardena.co.za

Spain

GARDENA IBÉRICA S.L.U.
C/ Basauri, nº 6
La Florida
28023 Madrid
Phone: (+34) 91 708 05 00
atencioncliente@gardena.es

Sweden

GARDENA Norden AB
Försäljningskontor Sverige
Box 9003
200 39 Malmö
info@gardena.se

Switzerland / Schweiz

GARDENA (Schweiz) AG
Bitzberg 1
8184 Bächenbülach
Phone: (+41) 848 800 464
info@gardena.ch

Turkey

GARDENA / Dost Diş Ticaret
Mümesillik A.Ş. Sanayi
Çad. Adil Sokak No. 1
Kartal - İstanbul
Phone: (+90) 216 38 93 939
info@gardena-dost.com.tr

Ukraine / Україна

ALTSEST JSC
4 Petropavlivska Street
Petropavlivska
Borschahivka Town
Kyivo Svyatoshyyn Region
08130, Ukraine
Phone: (+380) 44 459 57 03
uprr@altsest.kiev.ua

USA

Melnor Inc.
3085 Shawnee Drive
Winchester, VA 22604
Phone: (+1) 540 722-9080
service_us@melnor.com

1787-20.960.01/0707
© GARDENA
Manufacturing GmbH
D-89070 Ulm
http://www.gardena.com