

ES 500 Art. 4066

- D** **Gebrauchsanweisung**  
Elektro-Rasenlüfter
- 
- GB** **Operating Instructions**  
Electric Lawn Rake
- 
- F** **Mode d'emploi**  
Aérateur électrique
- 
- NL** **Gebruiksaanwijzing**  
Elektrische gazonbeluchter
- 
- S** **Bruksanvisning**  
Elektrisk Gräsmattluftare
- 
- I** **Istruzioni per l'uso**  
Arieggiatore elettrico
- 
- E** **Manual de instrucciones**  
Aireador de césped eléctrico
- 
- P** **Instruções de utilização**  
Arejador de relva eléctrico
- 
- DK** **Brugsanvisning**  
Elektrisk Plænelufter

# GARDENA Electric Lawn Aerator ES 500

Welcome to the Garden of GARDENA...



Please read these operating instructions carefully and observe the notes given. Use these instructions to familiarise yourself with the Electric Lawn Scarifier, its correct use and the notes on safety.



For safety reasons, children under the age of 16 as well as persons not familiar with these operating instructions should not use this Electric Lawn Scarifier.

→ Please keep these operating instructions in a safe place.

## Contents

1. Where to Use Your GARDENA Electric Lawn Scarifier	11
2. For Your Safety	11
3. Function	13
4. Assembly	13
5. Operation	14
6. Maintenance	15
7. Trouble-Shooting	16
8. Storing Your Electric Lawn scarifier	17
9. Accessories	18
10. Technical Data	18
11. Service	18

## 1. Where to Use Your GARDENA Electric Lawn Scarifier

### Intended use

The GARDENA Electric Lawn Scarifier ES 500 is designed for aerating lawns and grassy areas in private domestic and hobby gardens. It is not designed for use in public facilities, parks, sporting grounds, on roads, in agriculture or forestry.

Compliance with these instructions provided by GARDENA is a prerequisite for using the Electric Lawn Scarifier correctly.

### Please note



**Attention! To prevent injury, the Electric Lawn Scarifier must not be used for trimming bushes, hedges and shrubs. In addition, the Electric Lawn Scarifier must not be used for levelling irregularities in the soil.**

## 2. For Your Safety

→ Please observe the notes on safety on the Electric Lawn Scarifier.



### Warning!

→ Read instruction handbook!



### Sharp prongs can cause injury!

→ Unplug from the mains before maintenance or if the mains lead is damaged.



### Danger! Risk of injury!

→ Keep bystanders away!

→ Keep mains connection lead away from the lawn scarifier.

### **Checks before each use:**

- Inspect the Electric Lawn Scarifier before each use.
- Do not use the Electric Lawn Scarifier if safety devices (starter lever, safety interlock, rear flap, housing) are damaged or worn.
- Never operate the unit with the safety devices by-passed or missing.
- Note: Ensure that all nuts, bolts and screws are tight and that the Lawn Scarifier is in good working order.
- Inspect the area to be aerated before beginning work.
- Check the working area for foreign objects (e.g. stones, branches, string) and remove if necessary.

### **Proper use / Responsibility:**



**Danger! Risk of injury!**  
**The Lawn Scarifier can cause serious injuries!**

- **Keep hands and feet away from the aerator cylinder.**
- You are responsible for the safety of the working area.
- Only use the Electric Lawn Scarifier for the purposes specified in these instructions.
- Only work when visibility is good.
- During use do not tip the unit and do not open the rear flap.
- Familiarise yourself with the surroundings of your working area. Check for possible risks which might be not audible due to the noise of the machine.
- Wear sturdy shoes and long trousers to protect your legs.
- Ensure you keep your feet a safe distance from the moving parts.
- Make sure that there are no other people (especially children) or animals anywhere near the working area.
- Always push the Lawn Scarifier at a walking pace.
- Operating position: Ensure that you have a secure foothold when working.

- Be particularly careful if you change direction on a slope.

### **Attention! Take extra care when walking backwards. You may stumble!**

- Do not use the Lawn Scarifier if it is raining or in moist, wet conditions.
- Do not work close to the edge of swimming pools or garden ponds with the lawn scarifier.
- Please observe any local restrictions relating to noise levels.

### **Electrical safety:**

- Keep the extension cable away from the aerator cylinder!
- Never use the Electric Lawn Scarifier when it is raining.
- Please observe the prescribed local quiet times.
- The connecting/extension cable must be checked regularly for damage and signs of wear and tear.
- Disconnect the mains plug immediately if the connecting/extension cable is damaged or severed.

The coupling socket for the extension cable must be waterproof for protection from water splashes or the connection sockets for extension cables must be made of rubber or be encased in rubber.

Extension cables must meet the requirements of DIN VDE 0620.

- Only use approved extension cables with an adequate cable cross-section. Ask your electrician.

Attachment fittings must be used for extension cables.

For portable units, which are used outdoors, we recommend to use a residual-current device having a residual-current rating  $\leq 30$  mA. In Switzerland use of a residual-current device is obligatory.

**Interruptions of work:****Never leave the Electric Lawn Scarifier unattended at the working area.**

- If you interrupt your work store the unit in a safe place. Disconnect the mains plug!
- When you interrupt work in order to go to another working area, always switch off the Electric Lawn Scarifier during transport. Put the wear compensation lever in the transport position.

**If you come into contact with an obstruction during aerating:**

1. Turn off the Electric Lawn Scarifier.
2. Remove the obstruction.
3. Check the Lawn Scarifier for damage and have it repaired if necessary.

## 3. Function

**Correct aerating:**

The Lawn Scarifier can be used for removing matting and moss in the lawn and thatch.

To maintain a well-cared-for lawn we recommend aerating every 4 - 6 weeks depending on the state of your lawn.

→ First of all, mow your lawn to the length you require.

*We particularly recommend this if the grass has grown tall (e.g. while you were away on holiday).*

**Recommendation:** the shorter you mow your lawn, the easier it is to aerate, thus lessening the strain on the Lawn Scarifier and increasing the lifetime of the aerator cylinder.

Staying too long in one place with the machine running or scarifying when the ground is wet or too dry can damage the turf.

→ For good results, guide the Lawn Scarifier at an appropriate speed in strips as straight as possible across your lawn.

To avoid leaving any gaps during aerating, the strips should touch.

→ Always guide the Lawn Scarifier at an even speed depending on the type of ground.

→ When working on inclines always stand diagonally to the incline in a sturdy, safe stance. Do not work on extremely steep slopes.

**Danger of tripping!**

**To prevent tripping take particular care when moving backwards and when pulling the Lawn Scarifier.**

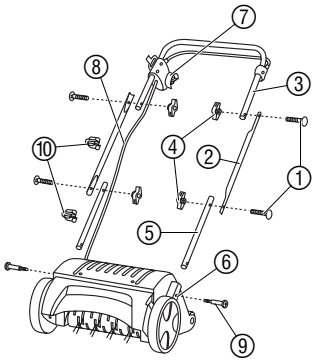
When aerating areas of very mossy lawn we recommend re-sowing the lawn after aerating. This helps the areas of lawn which were replaced by moss to regenerate quicker.

## 4. Assembly

**Assembling the handle:**

→ **Do not place the connecting cable ⑧ under strain during assembly.**

1. Insert the two lower sections of the upright ⑤ (with the end with the round hole) in the mountings in the motor casing ⑥ and secure with the crosshead screws ⑨.



2. Insert the two locking bolts ① from outside through the holes in the two central sections ② of the upright and secure to the lower sections of the upright ⑤ with two wing nuts ④.
3. Screw the upper part of the upright with starting handle ③ to the central sections of the upright ② with two more locking bolts ① and the wing nuts ④.

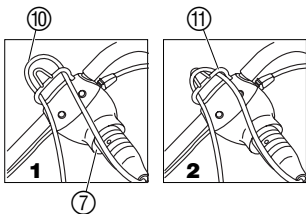
*This completes the assembly of the handle.*

**Warning:** Fit the upper section of the upright with starting handle ③ in such a way that the plug ⑦ with the power cable ⑧ is on the right side (in direction of movement) (see fig.).

4. Attach connection cable ⑧ to the handle with the two cable clips ⑩.

## 5. Operation

### Connecting to power supply:



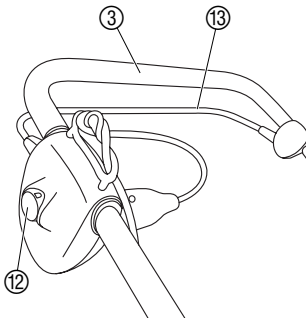
1. Push connector of extension cable ⑩ on to the plug ⑦.
2. Draw a loop of the extension cable ⑩ through the cable strain relief device ⑪ 1 and suspend in position 2.  
*This prevents inadvertent disconnection of the plug and socket connection.*
3. Insert extension cable ⑩ into a mains socket.

### Starting Lawn Scarifier:



**Danger of injury if the Lawn Scarifier does not switch off automatically!**

→ Do **not** remove or bridge safety devices fitted to the Aerator (e.g. by tying the starting lever to the upper handle)!



**! Danger!** The Scarifier does not stop immediately after the motor has been switched off:

- **Never** lift, tip or carry the Scarifier with the motor running!
- **Never** start on solid ground (e.g. asphalt).
- **Always** maintain the safety distance between the aerator cylinder and the user as defined by the guide handle.

1. Place Lawn Scarifier on flat grass surface.
2. Keep safety interlock ⑫ pressed down and pull starting lever ⑬ on the upper handle ③. *The Lawn Scarifier starts.*
3. Release safety interlock ⑫.

**When in operation, the extension cable ⑩ must always be guided in the direction you are working and to the side of the area to be worked on.**

**Always work away from the connection cable.**

**Blockage Protection:** If the aerator cylinder is blocked, e.g. by a foreign body, immediately release the starting lever. If the blockage lasts longer than 10 seconds and the starting lever has not been released, blockage protection is activated. In this case immediately release the starting lever. The Lawn Scarifier can be switched on again after cooling down for approx. 1 minute.



**Danger of injury!**

If blockage protection is activated and the starting lever is not released, the Lawn Scarifier starts again automatically after approx. 1 minute.

## 6. Maintenance

### Cleaning Lawn Scarifier:



**Danger! The aerator cylinder can cause injuries!**

→ Prior to maintenance, unplug from the mains and wait until the Scarifier drum has stopped.

→ Wear working gloves for performing maintenance.

The Lawn Scarifier should be cleaned after each time it is used.



**Risk of injury and physical damage!**

→ Do not clean Lawn Scarifier under running water (particularly under high pressure).

→ Do not use hard or pointed objects for cleaning the Lawn Scarifier.

→ Remove grass and deposits from wheels, aerator cylinder and housing.

### Adjusting for wear:

The Lawn Scarifier is subject to wear in use due to the way in which it works. The more intensively the Lawn Scarifier is used, the greater the wear on the spring tines.

Hard or very dry ground accelerates wear as does excessive use of the Lawn Scarifier.

If the results of your work with the Lawn Scarifier become increasingly worse due to wear of the spring tines, the aerator cylinder can be adjusted twice.

**The aerator cylinder has 4 adjustment positions:**

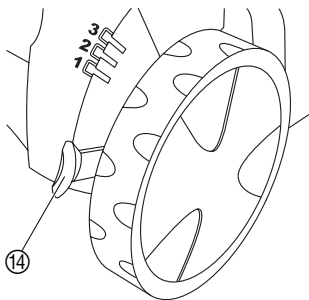
- **Transport position**
- **Aerating position 1 :**
- **Aerating position 2 :**

If the springs are worn (the scarifier roller is lowered by 3 mm).

- **Setting 3 :**

Second setting for worn springs (the scarifier roller is lowered by a further 3 mm).

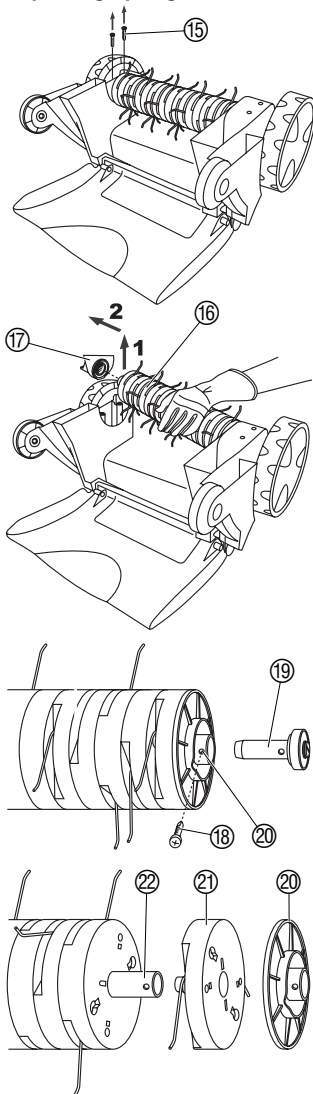
Push wear compensation lever ⑭ gently away from the housing and move to the position required.



**Note: Wear adjustment is not used for height adjustment. Adjustment of the aerator cylinder without visible wear can cause damage to the aerator cylinder or overload the motor.**

## 7. Trouble-Shooting

### Replacing spring tines:



**Danger! The aerator cylinder can cause injuries !**

→ Prior to rectifying faults, unplug from the mains and wait until the aerator cylinder has stopped.

→ Wear working gloves when rectifying faults.

If the aerator cylinder is not yet worn but individual springs have broken, these must be replaced. Only original GARDENA replacement springs may be used.

#### • Replacement spring tines for Electric Aerator GARDENA ES 500 Art. 4094

1. Unscrew two screws 15 on the underside of the housing.
2. Lift aerator cylinder 16 at an angle 1 and pull away the drive shaft 2.
3. Pull bearing shell 17 off the aerator cylinder 16.
4. Unscrew and remove screw 18 and draw out bearing bolt 19.
5. Remove cover plate 20 and spring elements 21 from the spring element holder 22.
6. Push new spring elements 21 and cover plate 20 on the spring element holder 22.  
*The bores on the cover plate 20 and the spring element holder 22 must lie on top of each other.*
7. Push in bearing bolt 19 in such a way that all 3 bores (bearing bolt 19, cover plate 20 and spring element holder 22) are on top of each other.
8. Screw in screw 18.
9. Push aerator cylinder 16 on to the drive shaft.
10. Put bearing shell 17 on the aerator cylinder 16.
11. Screw bearing shell 17 on to the lower side of the housing with the screw 15 without tightening too much.

### Problem

**Abnormal noise.  
Clattering in the unit**

**Whistling sound**

### Possible Cause

Foreign bodies on the aerator cylinder are hitting the Aerator.

Foreign bodies blocking the aerator cylinder.

### Remedy

1. Switch off the scarifier, remove the mains plug from the socket and wait until the cylinder has stopped rotating.
2. Remove foreign bodies.
3. Check Scarifier immediately.

Problem	Possible Cause	Remedy
Whistling sound	Cogged belt slipping.	→ Contact GARDENA Service.
Motor will not start	Faulty cable.	→ Check cable.
	The conductor cross-section of the extension cable is possibly too low.	→ Contact your electrician.
Motor cuts out because blocking protection has been activated	Blocked by foreign bodies.	<ol style="list-style-type: none"> <li>1. Switch off the motor, remove the mains plug from the socket and wait until the Scarifier has stopped rotating.</li> <li>2. Remove foreign bodies.</li> <li>3. After approx. 1 minute switch on the Scarifier.</li> </ol>
	Aerating depth too large (aerator cylinder has been adjusted for wear without wear to the knives).	<ol style="list-style-type: none"> <li>1. Leave motor to cool down.</li> <li>2. Set adjustment for wear correctly.</li> </ol>
	The grass is too tall.	→ Mow the lawn before aerating (see 3. Function "Correct Aerating").
Aerating results are not satisfactory	Wear to the spring tines.	→ Adjust aerator cylinder (see Maintenance).
	Cog belt faulty.	→ Contact GARDENA Service.
	Lawn has grown too tall.	→ Mow the lawn before using the Aerator.

If you have any problem with your Electric Aerator, please contact our Customer Service.

## 8. Storing Your Electric Aerator

### Storage:

**To save space the Lawn Scarifier can be folded up by releasing the wing nuts. Take care during this process that the cable does not become trapped.**

→ Store the Aerator in a dry, closed room to which children cannot gain access.

1. Switch off motor, unplug from the mains and wait until the aerator cylinder stops.

### Transport:

2. Move the wear compensation to the transport position and raise the aerator when transporting it over sensitive surfaces, e.g. tiles.

### Disposal:

(in accordance with RL2002/96/EC)



The device must not be added to the normal household waste, it must be disposed of in accordance with local regulations.



## 9. Accessories

GARDENA Collecting bag for Electric Lawn Scarifier ES 500

Art. No. 4065

## 10. Technical Data

Motor power consumption	500 W
Mains voltage	230 V
Mains frequency	50/60 Hz
Working speed of the aerator cylinder	2,250 r.p.m.
Aerating width	30 cm
Wear adjustments	3 x 3 mm
Working area related emission characteristic value $L_{pA}^{1)}$	77 dB (A)
Working area related noise level $L_{WA}^{2)}$	89 dB (A)
Vibrations $a_{vhw}^{1)}$	$\leq 2.5 \text{ m/s}^2$

Measuring method according to 1) EN 60335-1 2) Directive 2000/14/EC

## 11. Service

### Warranty

GARDENA guarantees this product for 2 years (starting from the date of purchase). This guarantee covers all serious defects of the unit that can be proved to be material or manufacturing faults. Under warranty we will either replace the unit or repair it free of charge if the following conditions apply:

- The unit must have been handled properly and in keeping with the requirements of the operating instructions.
- Neither the purchaser or a non-authorised third party have attempted to repair the unit.

The wearing parts, scarifier springs, are excluded from the warranty.

This manufacturer's guarantee does not affect the user's existing warranty claims against the dealer/seller.

If a fault occurs with your Electric Aerator, please return the faulty unit together with a copy of the receipt and a description of the fault, with postage paid to one of the GARDENA Service Centres listed on the back of these operating instructions.

<p><b>D</b> <i>Produkthftung</i></p>	<p>Wir weisen ausdrücklicly darauf hin, dass wir nach dem Produkthftungs-gesetz nicht für durch unsere Geräte hervorgerufene Schäden einzu-stehen haben, sofern diese durch unsachgemäÙe Reparatur verursacht oder bei einem Teileaustausch nicht unsere Original GARDENA Teile oder von uns freigegebene Teile verwendet werden und die Reparatur nicht vom GARDENA Service oder dem autorisierten Fachmann durchgeführt wird. Entsprechendes gilt für Ergänzungs-teile und Zubehör.</p>
<p><b>GB</b> <i>Product Liability</i></p>	<p>We expressly point out that, in accordance with the product liability law, we are not liable for any damage caused by our units if it is due to im-proper repair or if parts exchanged are not original GARDENA parts or parts approved by us, and, if the repairs were not carried out by a GARDENA Service Centre or an authorised specialist. The same applies to spare parts and accessories.</p>
<p><b>F</b> <i>Responsabilité</i></p>	<p>Nous vous signalons expressément que GARDENA n'est pas respon-sable des dommages causés par ses appareils, dans la mesure où ces dommages seraient causés suite à une réparation non conforme, dans la mesure où, lors d'un échange de pièces, les pièces d'origine GARDENA n'auraient pas été utilisées, ou si la réparation n'a pas été effectuée par le Service Après-Vente GARDENA ou l'un des Centres SAV agréés GARDENA. Ceci est également valable pour tout ajout de pièces et d'ac-cessoires autres que ceux préconisés par GARDENA.</p>
<p><b>NL</b> <i>Productaansprakelijkheid</i></p>	<p>Wij wijzen er nadrukkelijk op, dat wij op grond van de wet aansprakelij-heid voor producten niet aansprakelijk zijn voor schade ontstaan door onze apparaten, indien deze door onvakkundige reparatie veroorzaakt zijn, of er bij het uitwisselen van onderdelen geen gebruik gemaakt werd van onze originele GARDENA onderdelen of door ons vrijgegeven onderdelen en de reparatie niet door de GARDENA technische dienst of de bevoegde vak-man uitgevoerd werd. Ditzelfde geldt voor extra-onderdelen en accessoires.</p>
<p><b>S</b> <i>Produktansvar</i></p>	<p>Tillverkaren är inte ansvarig för skada som orsakats av produkten om skadan beror på att produkten har reparerats felaktigt eller om, vid repara-tion eller utbyte, andra än Original GARDENA reservdelar har använts. Samma sak gäller för kompletteringsdelar och tillbehör.</p>
<p><b>I</b> <i>Responsabilità del prodotto</i></p>	<p>Si rende espressamente noto che, conformemente alla legislazione sulla responsabilità del prodotto, non si risponde di danni causati da nostri arti-coli se originati da riparazioni eseguite non correttamente o da sostituzioni di parti effettuate con materiale non originale GARDENA o comunque da noi non approvato e, in ogni caso, qualora l'intervento non venga eseguito da un centro assistenza GARDENA o da personale specializzato autoriz-zato. Lo stesso vale per le parti complementari e gli accessori.</p>
<p><b>E</b> <i>Responsabilidad de productos</i></p>	<p>Advertimos que conforme a la ley de responsabilidad de productos no nos responsabilizamos de daños causados por nuestros aparatos, siempre y cuando dichos daños hayan sido originados por arreglos o reparaciones indebidas, por recambios con piezas que no sean piezas originales GARDENA o bien piezas autorizadas por nosotros, así como en aquellos casos en que la reparación no haya sido efectuada por un Servicio Téc-nico GARDENA o por un técnico autorizado. Lo mismo es aplicable para las piezas complementarias y accesorios.</p>
<p><b>P</b> <i>Responsabilidade sobre o produto</i></p>	<p>Queremos salientar que segundo a lei da responsabilidade do fabricante, nós não nos responsabilizaremos por danos causados pelo nosso equipamen-to, quando estes ocorram em decorrência de reparações inadequadas ou da substituição de peças por peças não originais da GARDENA, ou pe-ças não autorizadas. A responsabilidade tornar-se-á nula também depois de reparações realizadas por oficinas não autorizadas pela GARDENA. Esta restrição valerá também para peças adicionais e acessórios.</p>
<p><b>DK</b> <i>Produktansvar</i></p>	<p>Vi gør udtrykkeligt opmærksom på at i henhold til produktansvarsløven er vi ikke ansvarlige for skader forårsaget af vores udstyr, hvis det skyldes uautoriserede reparationer eller hvis dele er skiftet ud og der ikke er an-vendt originale GARDENA dele eller dele godkendt af os, eller hvis repara-tionerne ikke er udført af GARDENA-service eller en autoriseret fagmand. Det samme gælder for ekstra udstyr og tilbehør.</p>

<p><b>D EU-Konformitätserklärung</b>  <b>Maschinenverordnung (9. GSGVO) / EMVG / Niedersp. RL</b>  Der Unterzeichnete GARDENA Manufacturing GmbH, Hans-Lorenser-Str. 40, D-89079 Ulm, bestätigt, dass die nachfolgend bezeichneten Geräte in der von uns in Verkehr gebrachten Ausführung die Anforderungen der harmonisierten EU-Richtlinien, EU-Sicherheitsstandards und produktspezifischen Standards erfüllen. Bei einer nicht mit uns abgestimmten Änderung der Geräte verliert diese Erklärung ihre Gültigkeit.</p>	<p>Bezeichnung des Gerätes: Elektro-Rasenlüfter  Description of the unit: Electric Lawn Rake  Désignation du matériel : Aérateur électrique  Omschrijving van het apparaat: Elektrische gazonbeluchter  Produktbeskrivning: Elektrisk Gräsmattluftrare  Descrizione del prodotto: Arieggiatore elettrico  Descripción de la mercancía: Aireador de césped eléctrico  Descrição do aparelho: Areador de relva eléctrico  Beskrivelse af enhederne: Elektrisk Plænelufter</p>
<p><b>GB EU Certificate of Conformity</b>  The undersigned GARDENA Manufacturing GmbH, Hans-Lorenser-Str. 40, D-89079 Ulm, hereby certifies that, when leaving our factory, the units indicated below are in accordance with the harmonised EU guidelines, EU standards of safety and product specific standards. This certificate becomes void if the units are modified without our approval.</p>	<p>Typ: Art.-Nr.:  Type: Art. No.:  Type : Référence :  Typ: Art. nr.:  Type: ES 500 Art.nr. : 4066  Modello: Art. :  Tipo: Art. Nº:  Tipo: Art. Nº:  Type: Varenr. :</p>
<p><b>F Certificat de conformité aux directives européennes</b>  Le constructeur, soussigné : GARDENA Manufacturing GmbH, Hans-Lorenser-Str. 40, D-89079 Ulm, déclare qu'à la sortie de ses usines le matériel neuf désigné ci-dessous était conforme aux prescriptions des directives européennes énoncées ci-après et conforme aux règles de sécurité et autres règles qui lui sont applicables dans le cadre de l'Union européenne. Toute modification portée sur ce produit sans l'accord express de GARDENA supprime la validité de ce certificat.</p>	<p>EU-Richtlinien : 98/37/EG  EU directives : 98/37/EG  Directives européennes : 89/336/EG  EU-richtlijnen : 89/336/EG  EU direktiv : 73/23/EG  Direttive UE : 93/68/EG  Normativa UE : 93/68/EG  Directrizes da UE : 2000/14/EG  EU Retningslinier :</p>
<p><b>NL EU-overeenstemmingsverklaring</b>  Ondergetekende GARDENA Manufacturing GmbH, Hans-Lorenser-Str. 40, D-89079 Ulm, bevestigt, dat de volgende genoemde apparaten in de door ons in de handel gebrachte uitvoering voldoen aan de eis van, en in overeenstemming zijn met de EU-richtlijnen, de EU-veiligheidsstandaard en de voor het product specifieke standaard. Bij een niet met ons afgestemde verandering aan de apparaten verliest deze verklaring haar geldigheid.</p>	<p>Schall-Leistungspegel: gemessen / garantiert  Noise level: measured / guaranteed  Puissance acoustique : mesurée / garantie  Geluidsniveau: gemeten / gegarandeerd  Ljudnivå: uppmätt / garanterad  Livello rumorosità: testato / garantito  Nivel sonoro: medido / garantizado  Nível de ruído: medido / garantido  Lydtryksniveau: afmålt / garanti  89 dB (A) / 91 dB (A)</p>
<p><b>S EU Tillverkarintyg</b>  Undertecknad firma GARDENA Manufacturing GmbH, Hans-Lorenser-Str. 40, D-89079 Ulm, intygar härmed att nedan nämnda produkter överensstämmer med EU:s direktiv, EU:s säkerhetsstandard och produktspecifikation. Detta intyg upphör att gälla om produkten ändras utan vårt tillstånd.</p>	<p>Anbringningsår der CE-Kennzeichnung: Year of CE marking:  Date d'apposition du marquage CE :  Installatiejaar van de CE-aanduiding:  CE-Märkningsår: 2004  Anno di rilascio della certificazione CE :  Colocación del distintivo CE :  Ano de marcação pela CE :  CE-Mærkningsår :</p>
<p><b>I Dichiarazione di conformità alle norme UE</b>  La sottoscritta GARDENA Manufacturing GmbH, Hans-Lorenser-Str. 40, D-89079 Ulm, certifica che il prodotto qui di seguito indicato, nei modelli da noi commercializzati, è conforme alle direttive armonizzate UE nonché agli standard di sicurezza e agli standard specifici di prodotto. Qualunque modifica apportata al prodotto senza nostra specifica autorizzazione invalida la presente dichiarazione.</p>	<p><i>Camel</i>  Peter Lameli  Technische Leitung  Technical Dept. Manager  Direction technique  Hoofd technische dienst  Technical Director  Direzione Tecnica  Dirección Técnica  Director Técnico  Teknisk Direktor</p>
<p><b>E Declaración de conformidad de la UE</b>  El que suscribe GARDENA Manufacturing GmbH, Hans-Lorenser-Str. 40, D-89079 Ulm, declara que la presente mercancía, objeto de la presente declaración, cumple con todas las normas de la UE, en lo que a normas técnicas, de homologación y de seguridad se refiere. En caso de realizar cualquier modificación en la presente mercancía sin nuestra previa autorización, esta declaración pierde su validez.</p>	<p>Ulm, den 01.07.2004  Ulm, 01.07.2004  Fait à Ulm, le 01.07.2004  Ulm, 01-07-2004  Ulm, 2004.07.01.  Ulm, 01.07.2004  Ulm, 01.07.2004  Ulm, 01.07.2004  Ulm, 01.07.2004  Ulm, 01.07.2004</p>
<p><b>P Certificado de conformidad da UE</b>  Os abaixo mencionados GARDENA Manufacturing GmbH, Hans-Lorenser-Str. 40, D-89079 Ulm, por este meio certificam que ao sair da fábrica o aparelho abaixo mencionado está de acordo com as diretrizes harmonizadas da UE, padrões de segurança e de produtos específicos. Este certificado ficará nulo se a unidade for modificada sem a nossa aprovação.</p>	<p>Ulm, den 01.07.2004  Ulm, 01.07.2004  Fait à Ulm, le 01.07.2004  Ulm, 01-07-2004  Ulm, 2004.07.01.  Ulm, 01.07.2004  Ulm, 01.07.2004  Ulm, 01.07.2004  Ulm, 01.07.2004  Ulm, 01.07.2004</p>
<p><b>DK EU Overensstemmelse certificat</b>  Undertegnede GARDENA Manufacturing GmbH, Hans-Lorenser-Str. 40, D-89079 Ulm bekræfter hermed, at enheder listet herunder, ved afsendelse fra fabrikken, er i overensstemmelse med harmoniserede EU retningslinier, EU sikkerhedsstandarder og produktspecifikationsstandarder. Dette certifikat træder ud af kraft hvis enhederne er ændret uden vor godkendelse.</p>	<p>Ulm, den 01.07.2004  Ulm, 01.07.2004  Fait à Ulm, le 01.07.2004  Ulm, 01-07-2004  Ulm, 2004.07.01.  Ulm, 01.07.2004  Ulm, 01.07.2004  Ulm, 01.07.2004  Ulm, 01.07.2004  Ulm, 01.07.2004</p>

**Deutschland**

GARDENA Manufacturing GmbH  
Service Center  
Hans-Lorenser-Str. 40  
89079 Ulm  
Produktfragen: (07 31) 490-123  
Reparaturen: (07 31) 490-290

**Argentina**

Argensem S.A.  
Calle Colonia Japonesa s/n  
(1625) Loma Verde  
Escobar, Buenos Aires

**Australia**

Nylex Consumer Products  
50-70 Stanley Drive  
Somerton  
Victoria, 3062

**Austria**

GARDENA Österreich Ges. m.b.H.  
Stettnerweg 11-15  
2100 Korneuburg

**Belgium**

MARKT (Belgium) NV/SA  
Sterrebeekstraat 163  
1930 Zaventem

**Brazil**

Palash Comércio e  
Importação Ltda.  
Rua Helena, 285 cjto 12  
Vila Olimpia - 04552-050  
São Paulo

**Bulgaria**

DENEX LTD.  
2 Luis Ahalier Str. - 7th floor  
Sofia 1404

**Canada**

GARDENA Canada Ltd.  
100 Summerlea Road  
Brampton, Ontario  
Canada L6T 4X3

**Chile**

Antonio Martinic Y CIA. LTDA.  
Gilberto Fuenzalida 185 Loc.  
Las Condes - Santiago de Chile

**Costa Rica**

Compania Exim  
Euroiberoamericana S.A.  
Av. 12 bis Calle 16 y 18,  
Bodegas Keith y Ramirez  
San José

**Cyprus**

FARMOKIPIKI LTD  
P.O. Box 7098  
74, Digeni Akrita Ave.  
1641 Nicosia

**Czech Republic**

GARDENA spol. s.r.o.  
Řípská 20a, č.p. 1153  
62700 Brno

**Denmark**

GÅRDENA Danmark A/S  
Naverland 8  
2600 Glostrup

**Finland**

Habitec Oy  
Martinkyläntie 52  
01720 Vantaa

**France**

GARDENA France  
Service Après-Vente  
BP 57080  
95948 ROISSY CDG Cedex

**Great Britain**

GARDENA UK Ltd.  
27-28 Brenkley Way  
Blezard Business Park  
Seaton Burn  
Newcastle upon Tyne NE13 6DS

**Greece**

Agrokip G. Psomadopoulos & Co.  
33 A, Ifestou str. - 194 00  
Industrial Area Koropi  
Athens

**Hungary**

GARDENA Magyarország Kft.  
Késmárk utca 22  
1158 Budapest

**Iceland**

Heimilistaeki hf  
Saetun 8  
P.O. Box 5340  
125 Reykjavik

**Republic of Ireland**

Michael McLoughlin & Sons  
Hardware Limited  
Long Mile Road  
Dublin 12

**Italy**

GARDENA Italia S.p.A.  
Via Donizetti 22  
20020 Lainate (Mi)

**Japan**

KAKUICHI Co. Ltd.  
Yamato Bldg., 5-3-1, Kojimachi  
Chiyoda-ku, Tokyo 102

**Luxembourg**

Magasins Jules Neuberg  
Grand Rue 30  
Case Postale No. 12  
Luxembourg 2010

**Netherlands**

GARDENA Nederland B.V.  
Postbus 50176  
1305 AD ALMERE

**Neth. Antilles**

Jonka Enterprises N.V.  
Sta. Rosa Weg 196  
P.O. Box 8200  
Curaçao

**New Zealand**

NYLEX  
New Zealand Limited  
22 Saleyards Road Otahuhu  
Private Bag 94001  
SAMC Manukau

**Norway**

GARDENA Norge A/S  
Postboks 214  
2013 Skjetten

**Poland**

GARDENA Polska Sp. z o.o.  
Szymanów 9 d  
05-532 Baniocha

**Portugal**

GARDENA Portugal Lda.  
Recta da Granja do Marquês  
Edif. GARDENA  
Algueirão  
2725-596 Mem Martins

**Russia / Россия**

АО АМИДА ТТЦ  
ул. Мосфильмовская 66  
117330 Москва

**Singapore**

Hy-Ray Enterprises  
Block 1002 Toa Payoh  
Industrial Park  
#07-1433/1435/1451  
Singapore 319074

**Slovenia / Croatia**

Silk d.o.o. Trgovina  
Brodišče 15  
1236 Trzin

**South Africa**

GARDENA South Africa (Pty.) Ltd.  
P.O. Box 11534  
Vorna Valley 1686

**Spain**

GARDENA IBÉRICA S.L.U.  
C/Basauri, nº 6  
La Florida  
28023 Madrid

**Sweden**

GARDENA Norden AB  
Box 9003  
20039 Malmö

**Switzerland**

GARDENA AG  
Bitziberg 1  
8184 Bachenbülach

**Ukraine / Украина**

АОЗТ АЛЬЦЕСТ  
ул. Гайдара 50  
г. Киев 01033

**Turkey**

GARDENA/Dost Diş Ticaret  
Mümesillik A.Ş.  
Yeşilbağlar Mah. Başkent  
Cad. No. 26  
Pendik - İstanbul

**USA**

GARDENA  
3085 Shawnee Drive  
Winchester, VA 22604

4066-20.960.03/0041  
© GARDENA Manufacturing GmbH  
D-89070 Ulm  
<http://www.gardena.com>